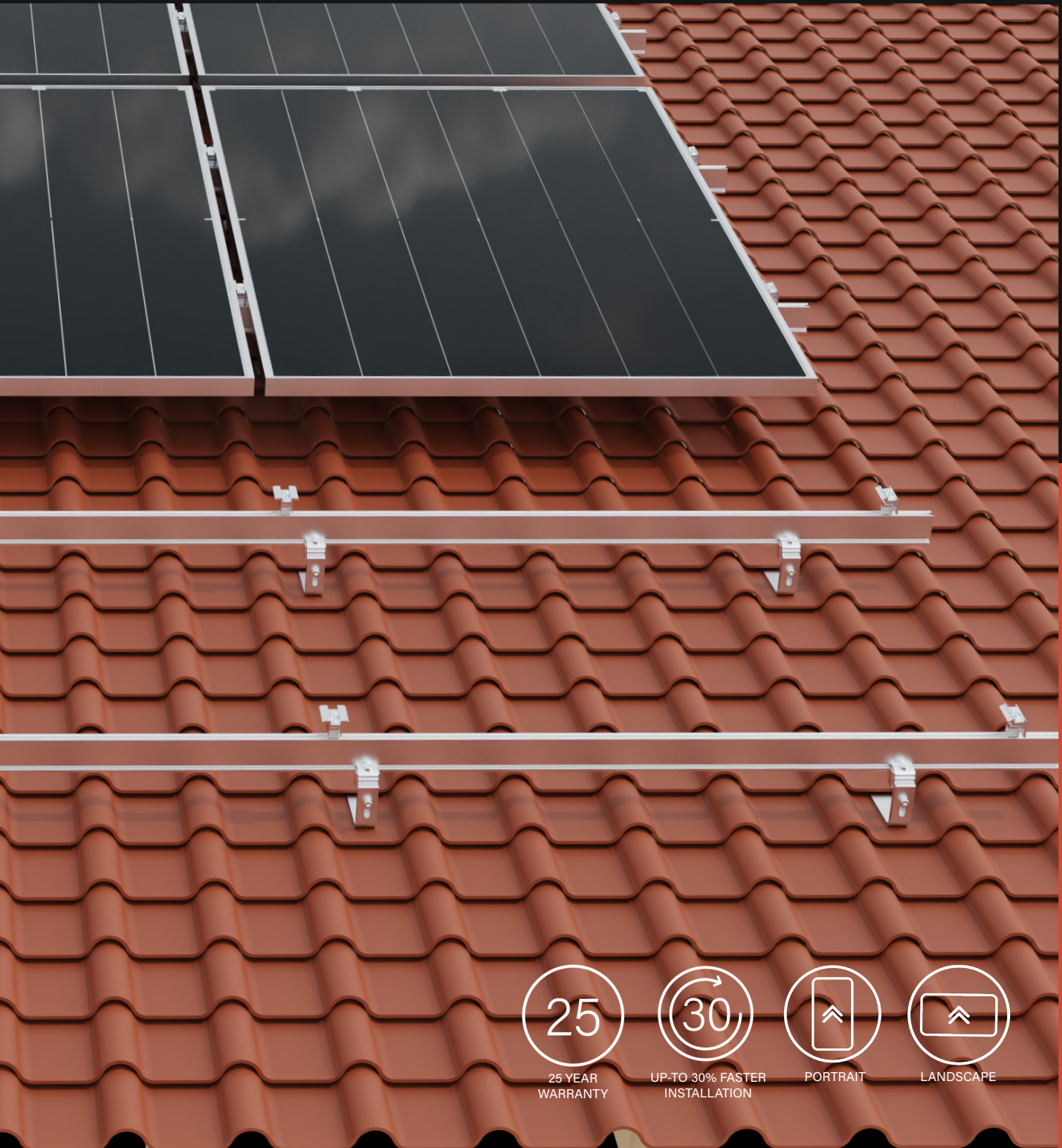


# NOVA

LESS IS MORE



NOVA TILED ROOF  
MOUNTING SYSTEMS

25

25 YEAR  
WARRANTY

30

UP-TO 30% FASTER  
INSTALLATION

Portrait icon

PORTRAIT

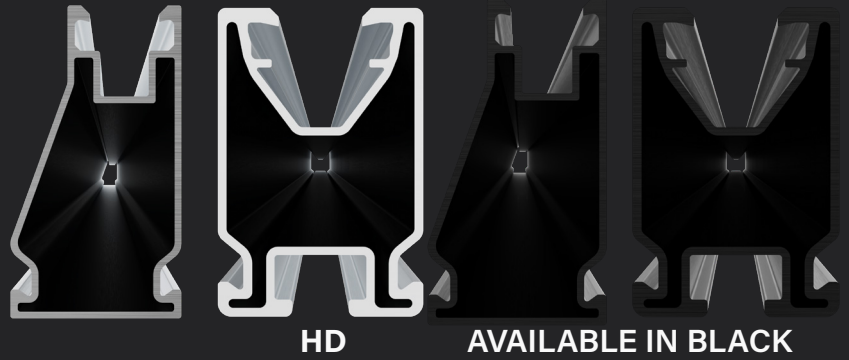
Landscape icon

LANDSCAPE

## NOVA RAILS

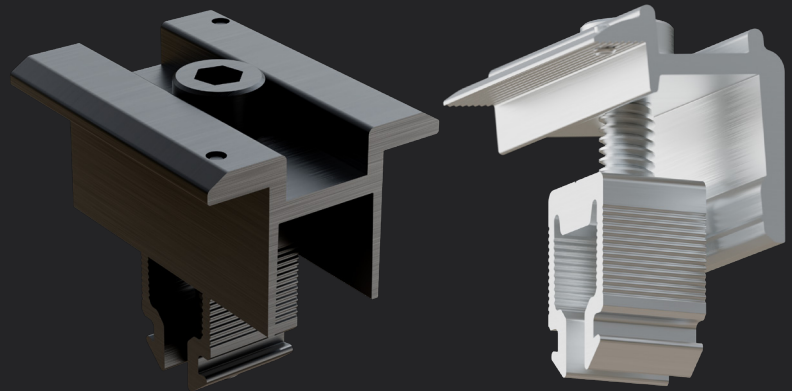
NOVA Rail  
NOVA Heavy Duty (HD) Rail

The NOVA Rails feature a unique enclosed design, making them 13% and 18% stronger compared to traditional open channel designs.



## MODULE CLAMPS

- Universal fit for module frames of 30-40mm
- Integrated earthing pins - additional earthing plate NOT required
- Snap-in system - Click and go
- Pre-assembled ready for install



## 'LESS IS MORE'

Engineered with efficiency in mind, our design philosophy revolves around "less is more," ensuring that fewer components translate into greater benefits, which is why our installation process is streamlined and straightforward.

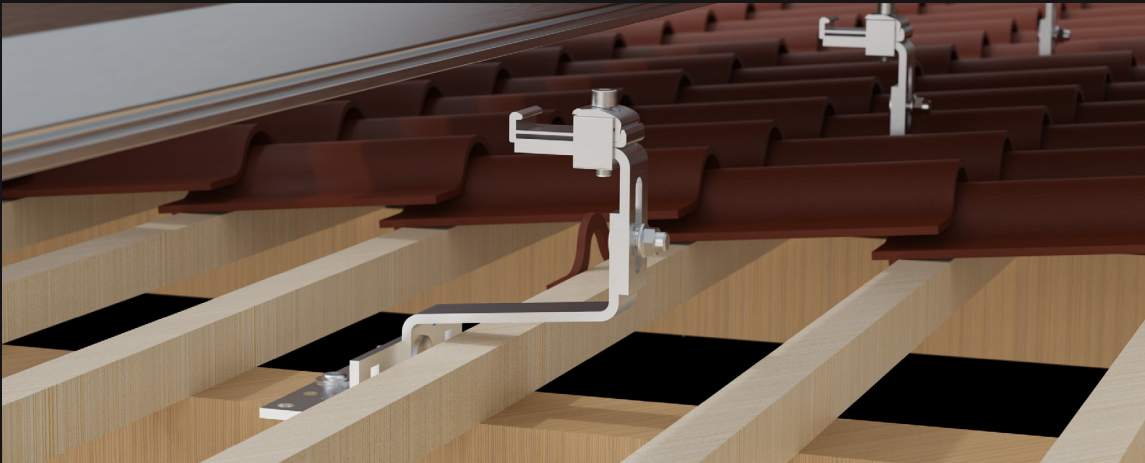
— = +  
less is more



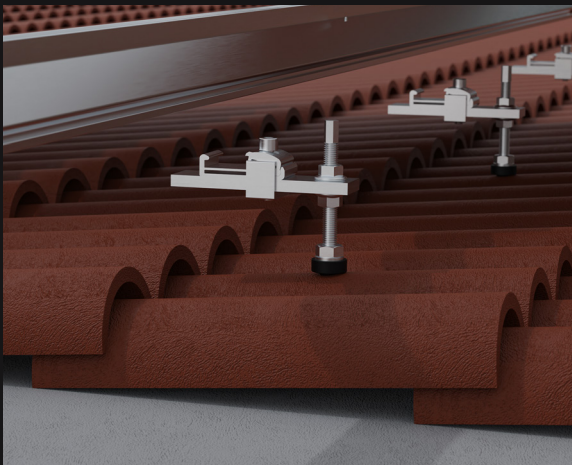
# NOVA TILED ROOF MOUNTING SYSTEMS

The NOVA Tiled Roof Mounting Series is manufactured from premium structural-grade alloys, ensuring exceptional corrosion resistance and strength across all components. Our comprehensive solutions are tailored to fit every type of tiled roof, delivering unparalleled versatility. Crafted with precision engineering, each design offers a broad range of adjustments to accommodate various applications, ensuring optimal performance in every installation.

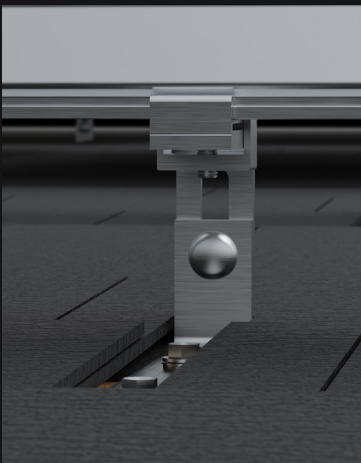
**STANDARD**



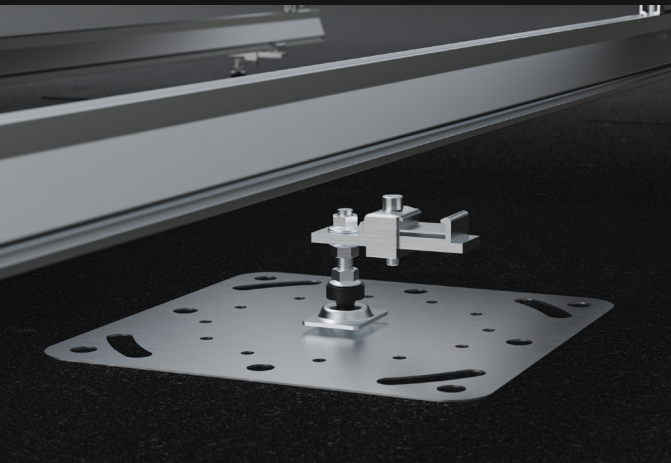
**SPANISH**



**SLATE**

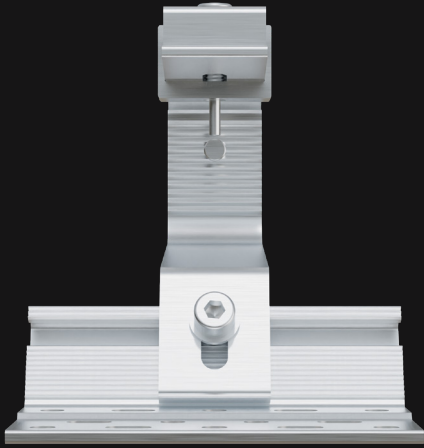


**BITUMEN**



# NOVA FLEXFIT+ TILE HOOK

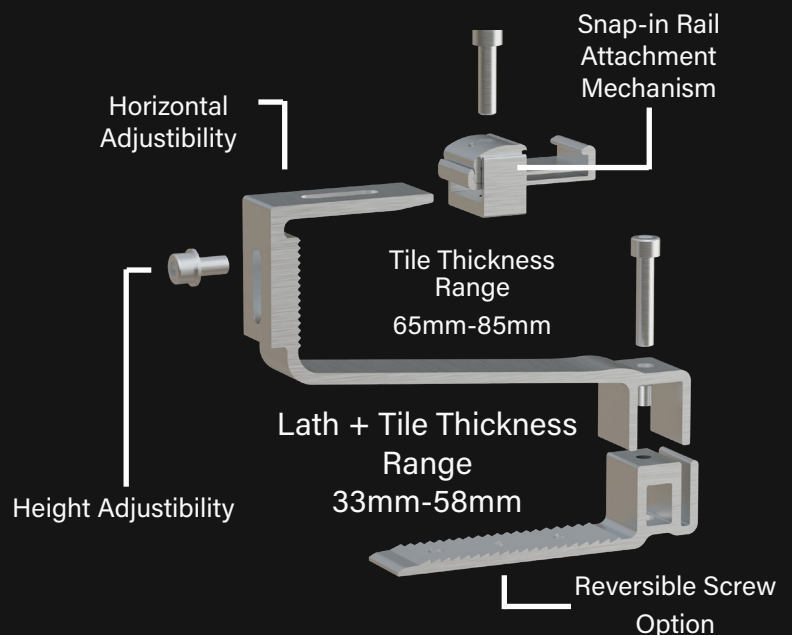
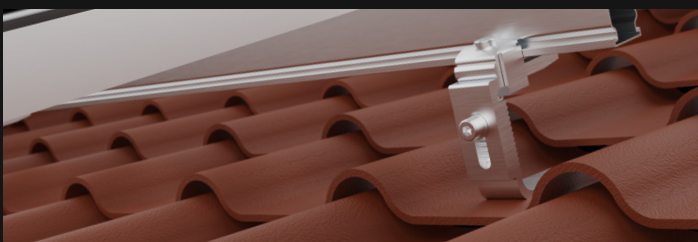
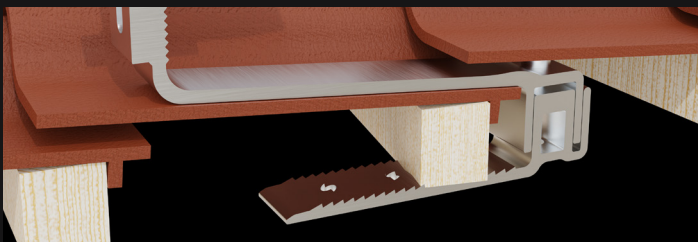
The NOVA FLEXFIT+ Tile Hook offers unmatched versatility for standard tile roofs. With unlimited flexible positioning options, including vertical and horizontal adjustments, it ensures seamless installation. Preassembled with our snap-in rail attachment, it's compatible with various roofing configurations.



- + Vertical and horizontal adjustability
- + Snap-in rail attachment
- + Flexible screw positions
- + Aluminium construction

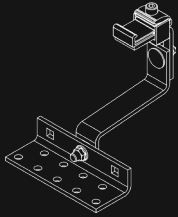
# NOVA QUICKFIT TILE HOOK

The NOVA QUICKFIT Tile Hook embodies a sophisticated design, offering versatility in installation without the need for drilling into the roof structure. Simply hooking onto the purlins of the roof, it provides greater flexibility in positioning during installation, making it the quickest tile mounting solution available.

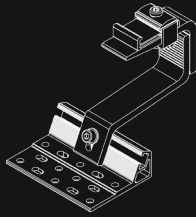


# SYSTEM COMPONENTS

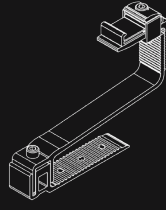
## FOOTING OPTIONS



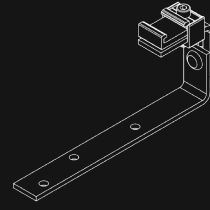
FLEXFIT  
Tile Hook



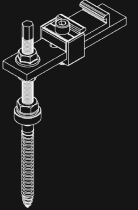
FLEXFIT+  
Tile Hook



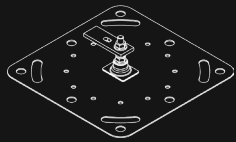
QUICKFIT  
Tile Hook



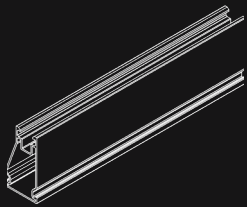
Slate Hook



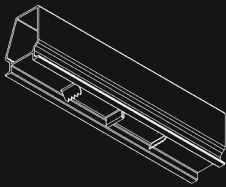
Hanger Bolt



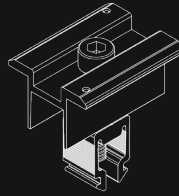
Anchor Base  
Plate



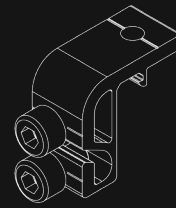
NOVA Rail



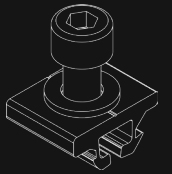
NOVA Joiner



Module Clamps



Earth Lug



Optimizer  
Mounting Nut

## TECHNICAL SUPPORT & QUALITY GUARANTEE

- Structural Stability Tested
- Corrosion Resistance Tested



TECHNICAL  
SUPPORT





## HEADQUARTERS

### EUROPE

Regina Wautersweg 13 8800  
Roeselare  
Belgium

hello@nova-mounting.com

+32 (0)51 14 05 94

### AUSTRALIA

7 Audsley Street  
Clayton South VIC 3125  
Australia

hello@novamounting.com.au

+61 (3) 8488 7388

